

#### KIT COMPOSITION:

- 1 : New Iritrack bracket
- 2 : New power cable
- 3 : 5m Iridium Antenna
- 4 : GPS antenna (cut at 10cm)
- 5 : 5m GPS cable

#### Technical characteristics of the New Iritrack:

- Dimensions: 180 x 112 x 53 mm (L x W x D), without bracket, plugs and cables
- Weight: 830g
- Consumption: 12V, 100mA on rest, 1500mA on communications
- External power supply: Input: DC 6-42V (1A)
- Internal battery: rechargeable Li-ion, 6800mAH - 3.75V
- Internal Iridium, GPS and radio antennas
- Embedded loud speaker & microphone.

#### POWER EXTENSION

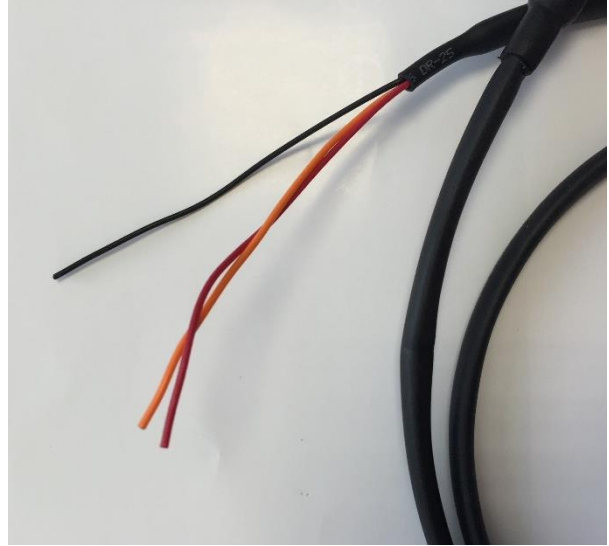


Connect the red wire to the +12V/+24V (red terminal) and the black wire on the negative pole of the battery.

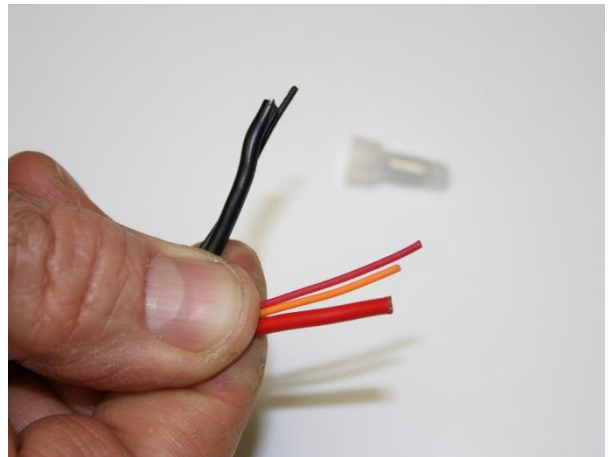
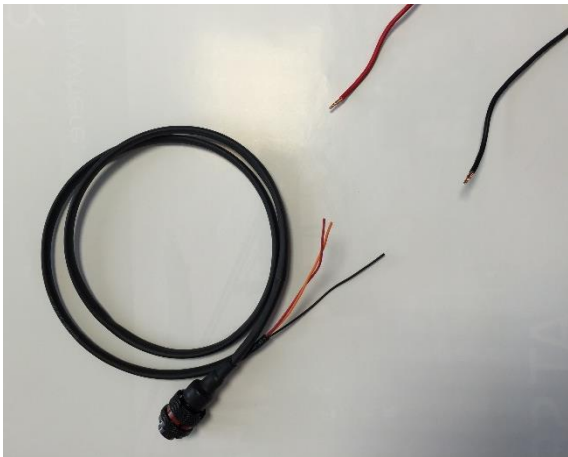
The IRITRACK must be connected directly to the battery, as required by the FIA rules (no breaker and no contact on power).

Bring power to the bracket.

## POWER CABLE

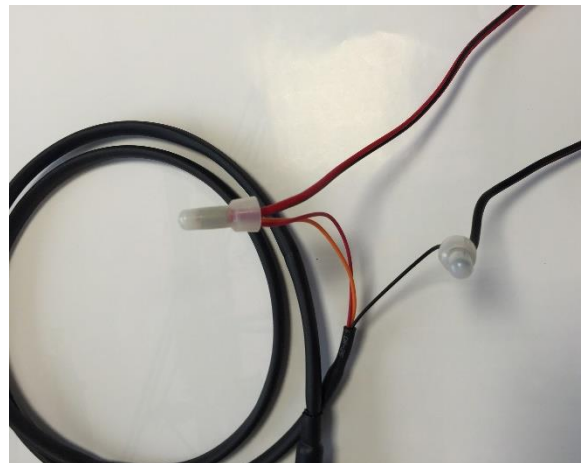
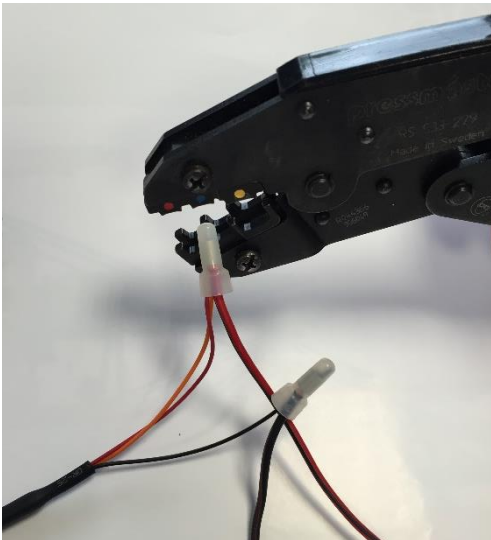


Prepare your Power cable. Separate the black wire from the red and orange wires



Prepare the main power 12 V cable (direct battery) and connect it to the New Iritrack Power Cable using the bind connector (provided with the New Iritrack power cable) according to the pictures below : Red & orange with Red, and black with black.

Use a plier for the connection.

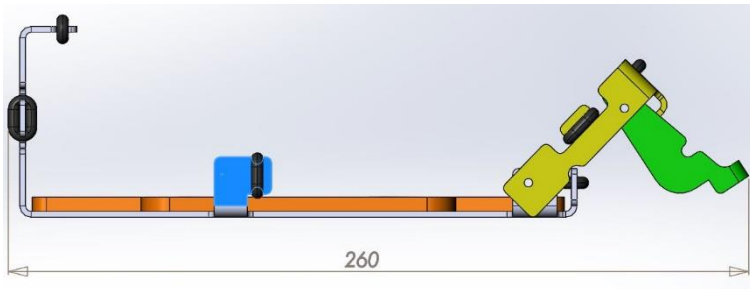
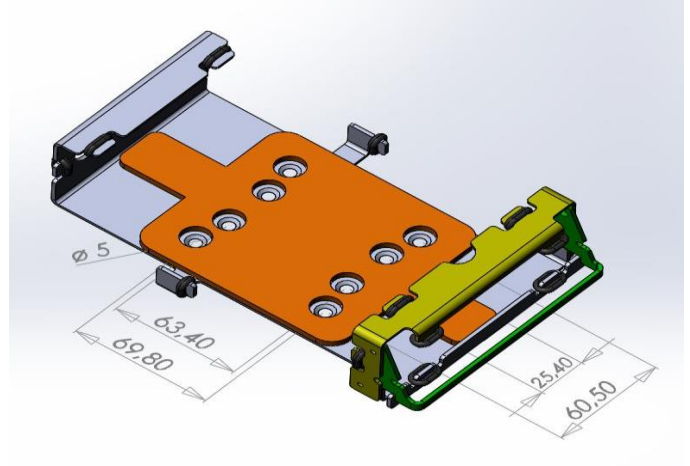
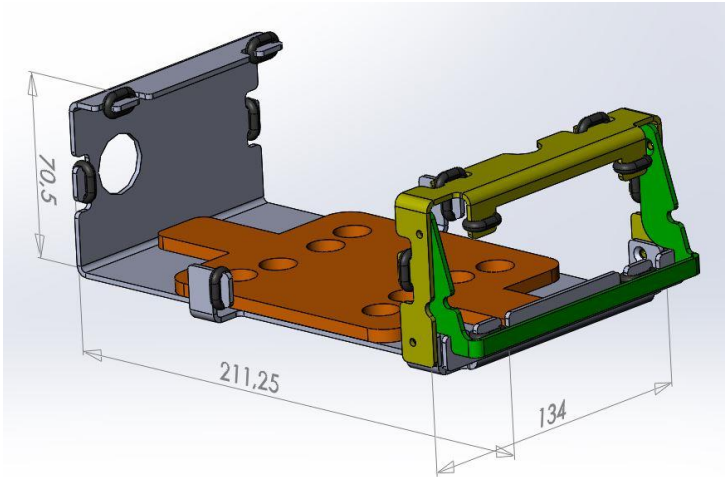


**If you prefer, and if the configuration of your vehicle enables it, you can connect directly your New Iritrack 1m power cable to your fuse block with a permanent power supply.**

## SUPPORT & SILENT BLOCKS

Please find below the New Iritrack bracket and its dimensions (open and closed) in millimeters (211,25 mm\*134\*70,5).

The space needed to receive the New Iritrack is 260 mm (across the width). That is the required space in order to open bracket on the left side and to bend and connect the cables on the right side.



Here are the drilling patterns of the bracket (same as on the previous Iritrack).

- Width: 69,80 mm
- Length: 60,50 mm
- Drilling diameter: 5 mm

You can open the bracket pulling the handle located at the right of the bracket. Please make sure that you have 50 mm clear on the right of the Iritrack.

### **⚠ IMPORTANT**

During the bracket fixation, it is necessary to remind that:

- You must be able to access your New Iritrack without leaving your seat.
- You must have a visibility on the screen.
- The top side of the New Iritrack needs to have a clear view on the windscreen to enable the transmission through the internal antennas of the device.

As a result it is no longer possible to fix the New Iritrack on the cabin's ceiling.

## ANTENNAS AND CABLES



The magnetic antenna must be installed horizontally and clear of all obstacles at 180 degrees towards the sky, on the roof or on the bonnet of the vehicle (metal surface).

The GPS and Iridium antennas can be side by side. It is forbidden to paint or to integrate them into the body of the vehicle.

**ATTENTION:** The antenna cables should not go through the door seals but in the walls of the vehicle or via a cable gland



Connect the GPS cable to the GPS antenna and bring the GPS connector (SMA) to the bracket. Then, bring the Iridium connector (TNC) to the bracket.



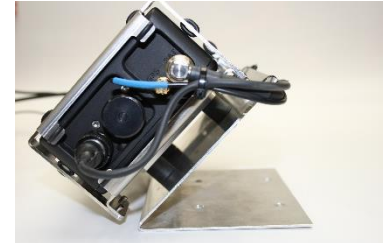
**CAUTION:** It is very important to put a shrinkable tube on each antenna / cable to couple them.

Before heating the shrinkable tube, make sure the connectors are properly locked.

## EXAMPLE OF INSTALLATION



Fixation on the top of a navigation board



Fixation on a dashboard with a metal slab (principally for truck).

Fixation on the top of a navigation board

