

In order to pilot with your Smalltrack – security system of tracking by satellite – you will need to fix your bracket according to the recommendations of this document. For the Merzouga 2017 configuration, you will not need antennas nor power cable for your Smalltrack.

Please make sure you have the bracket. If not, it is available for sale on <https://eshop.marlink.com/en/>

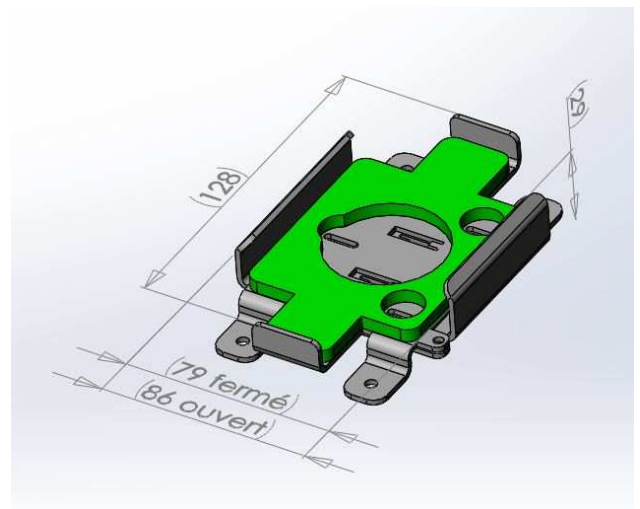
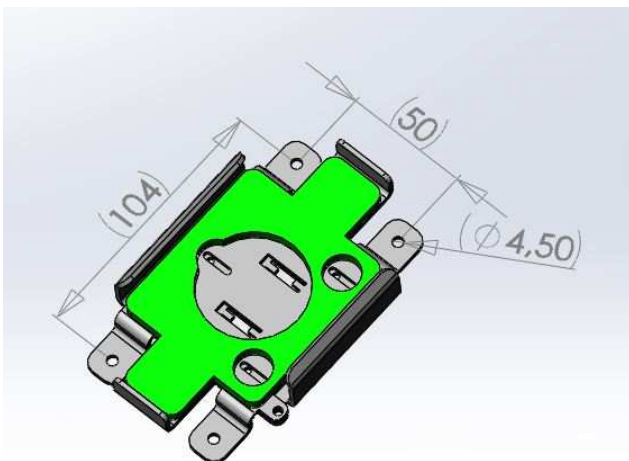
### THE SMALLTRACK AND IT'S BRACKET



The white zone indicates the antennas position.

### BRACKET INSTALLATION AND FIXATION

You will find below the dimensions and the drilling patterns. :



The total height of the Smalltrack, when it is installed in the bracket is 50mm (29mm for the bracket only).  
The bracket needs to be fixed to the bike or to the quad by the 4 fixations points.

### ⚠ IMPORTANT

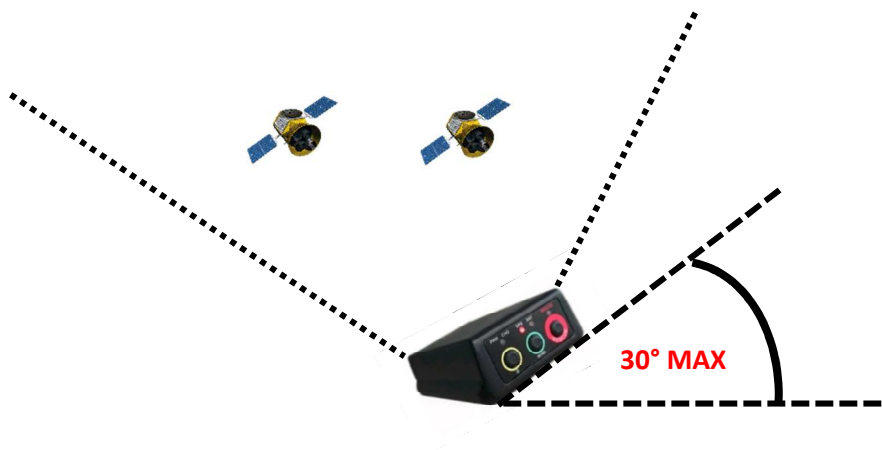
During the bracket fixation it is necessary to remind that:

- You need to see the buttons and access them easily
- The up side must not be masked, and needs a clear view on the sky (for the internal antennas)
- The angle of the positioning needs to be inferior to 30°

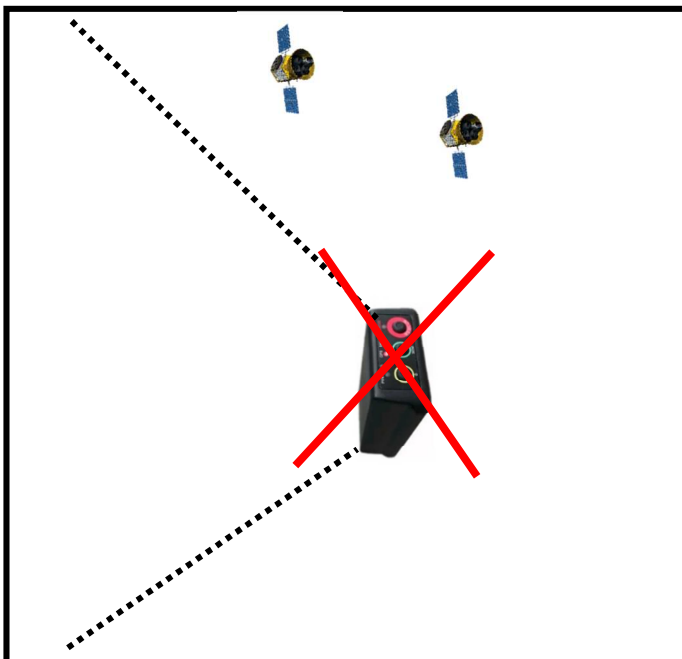
## EXEMPLE OF INSTALLATION



Please install your Smalltrack at the front of your SSV. As indicated, the inclination shall not exceed 30° in order to optimize the reception of the satellite signal.



## DO NOT REPRODUCE



This positioning is not conform.

Positioning the Smalltrack with an angle exceeding 30° will compromise the satellite signal transmission.

Please make sure you follow this recommendation while you install the bracket on your vehicle.

**Please keep also in mind that the top of the Smalltrack needs a clear view on the sky.**

## INTRODUCTION OF THE SMALLTRACK IN IT'S BRACKET

A spring system will lock the Smalltrack in the bracket. In order to secure the installation, there is an eyelet of fixation designed to receive a Rilsan type clamp.

As illustrated below :

- Insert the Smalltrack in the bracket by the spring side.
- Push in order to move aside the removable part of the bracket.
- Then engage the other side by pushing it down in the bracket.



**Push the SmallTrack in the bracket**



**SmallTrack correctly inserted in the bracket.**