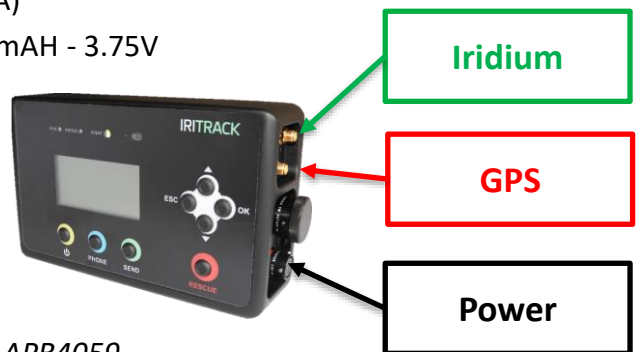




MOUNTING GUIDE IRITRACK V3 BIKE - QUAD

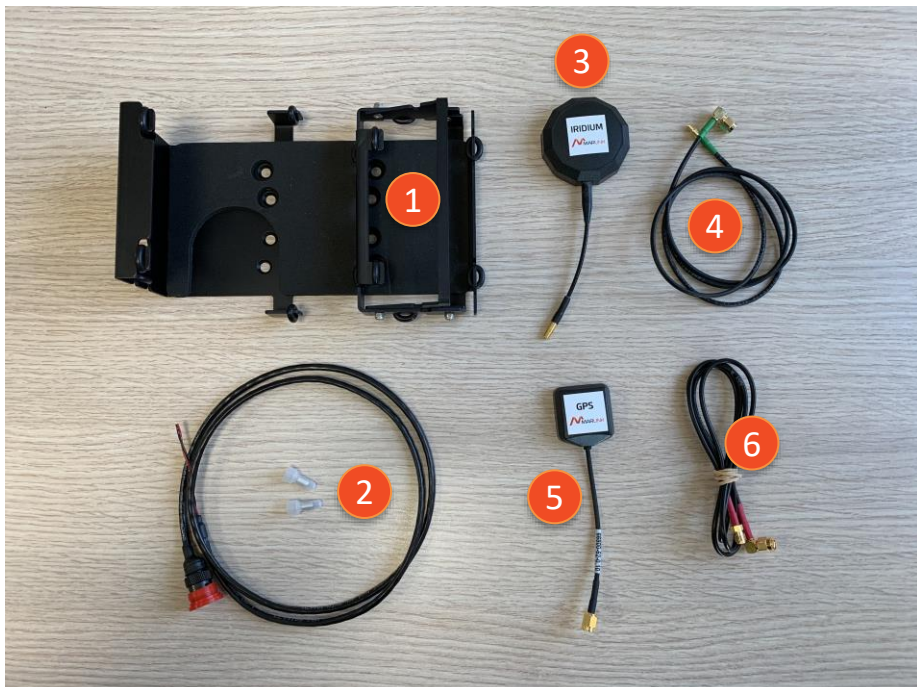
Technical characteristics :

- 1) Dimensions : 180 x 112 x 53 mm (L x l x P), without bracket, plugs and cables
- 2) Weight : 830g
- 3) Consumption : 12V, 100mA on rest, 1500mA on communication
- 4) External power supply : Input: DC 6-42V (1A)
- 5) Internal battery : rechargeable Li-ion, 6800mAH - 3.75V
- 6) Internal antennas Iridium, GPS et radio
- 7) Microphone and speaker



Kit composition :

- 1) Iritrack bracket V3 (New) – APR4063
- 2) Power cable V3 1m with terminals (New) – APR4059
- 3) Antenna Iridium (10cm) – APR4036
- 4) Cable Iridium 1m (New) – APR4084
- 5) Antenna GPS (10cm) – APR2861
- 6) Cable GPS 1m – APR4029



POWER SUPPLY



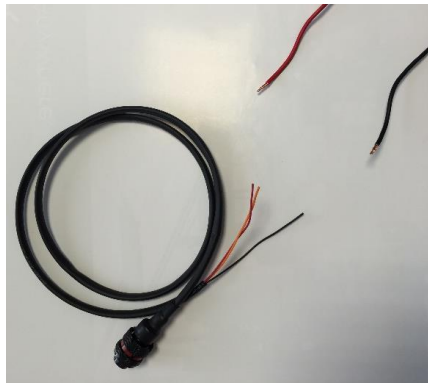
The power cable must be directly connected to the battery or fuse box with permanent power supply (no breaker – fuse 3A).

If the configuration of your vehicle doesn't enable it, you can connect your power cable to a power extension as shown below (not in the kit but available on our E-shop APR 4033) :

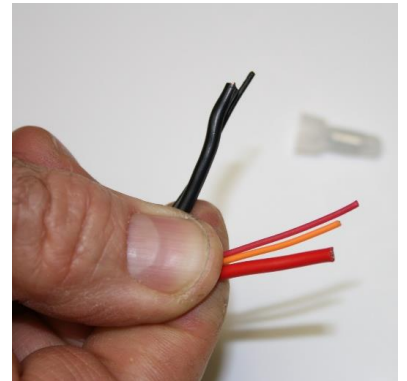
- 1) Prepare your Iritrack power cable V3, separating the black wire from the red and orange wires
- 2) Connect the power extension cable with the Iritrack power cable using terminals provided
 - red & orange with red
 - black with black
- 3) Use a plier for the connection
- 4) Connect the power extension cable to the battery, red wire on +12V/+24V (red terminal) and the black wire on the negative pole.
- 5) Connect the fuse



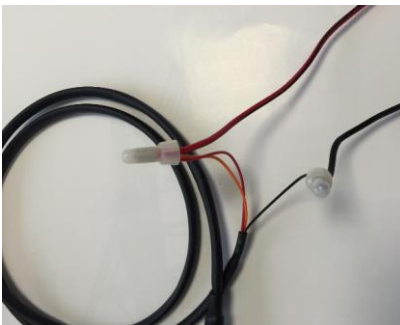
1



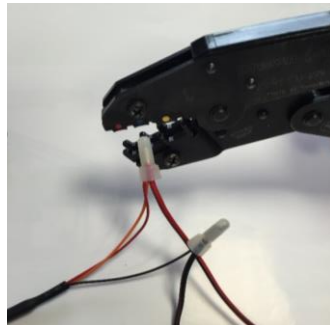
1



2



2



3



4

5

BRACKET



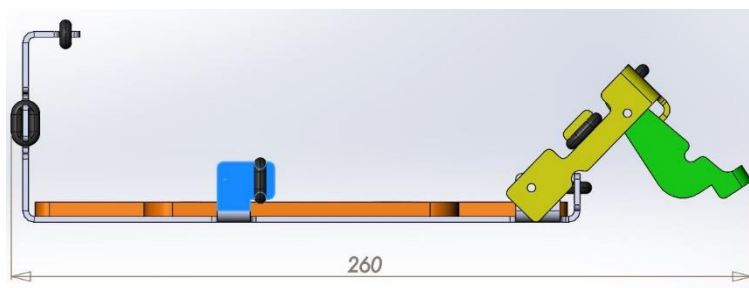
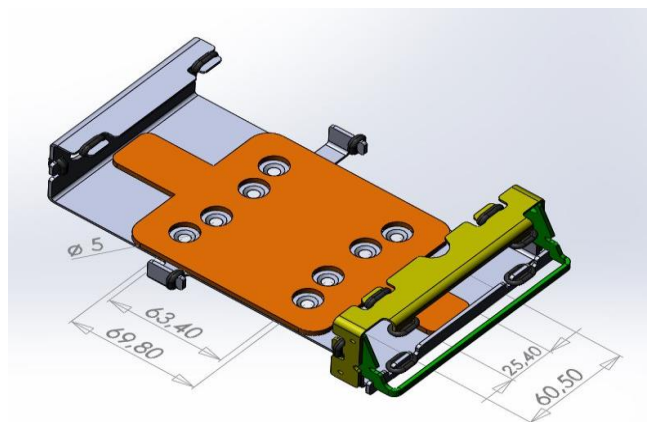
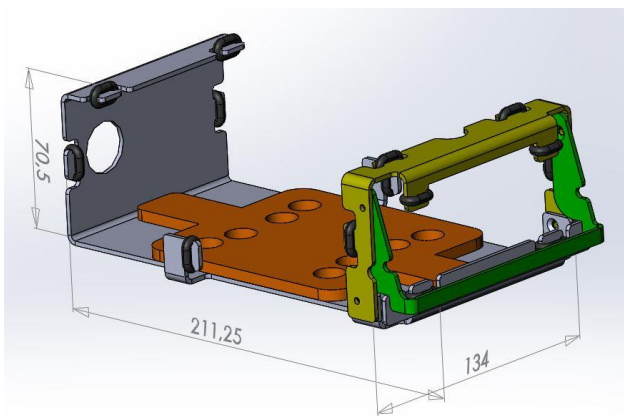
Below, the New bracket and its sizes (open & closed) in millimetres (211,25 mm*134*70,5 mm).

You can open the bracket pulling the handle located at the right of the bracket.

Please make sure you have 50 mm clear on the right for cables.

Here are the drilling patterns of the bracket (same as on the previous Iritrack):

- Width : 69,80 mm
- Length : 60,50 mm
- Drilling diameter: 5 mm



SILENT-BLOCKS

The bracket must be installed with a shock absorption system : silent-blocks

→ ref Marlink : APR4057 (available on our E-shop <https://eshop.marlink.com/en/>)

Without a valid shock absorption system, the installation will be declared as no compliant at the technical checks.



ANTENNAS AND CABLES



Magnetic antennas must be installed horizontally and clear of all obstacles at 180 degrees towards the sky, on the navigation tower (metal surface).

The GPS and Iridium antennas can be side by side. It is forbidden to paint or to integrate them into the core of the vehicle.

Connect the GPS cable to the GPS antenna and bring the GPS connector to the bracket.

Then, bring the Iridium connector to the bracket.

It is very important to put a shrinkable tube on each antenna / cable to couple them. Before heating the shrinkable tube, make sure the connectors are properly locked.



Once New Iritrack installed make sure to have:

- ✓ Perfect visibility and access to the screen and buttons (Iritrack or remote)



Compliant installation :

- ✓ Buttons visible & accessible
- ✓ Screen visible



Compliant but:

- No visibility on the flash (notification/HQ calls via LED)
- Access to the buttons may be complicated in case of fall on the side of the installation
- We recommend a horizontal positioning of the Iritrack to have the internal antennas clear of any obstacles

Non compliant installation :

- X Buttons / Screen with no visibility and access

If your bike's configuration doesn't match with the criterias above, the installation will need the remote (see below).



IRITRACK REMOTE MOUNTING GUIDE BIKE - QUAD

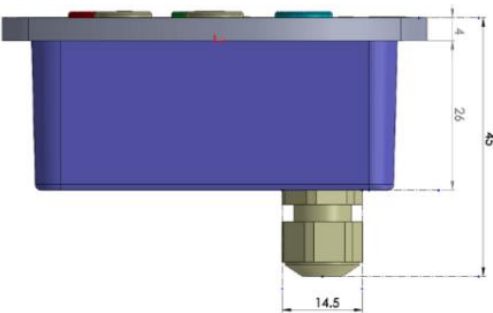
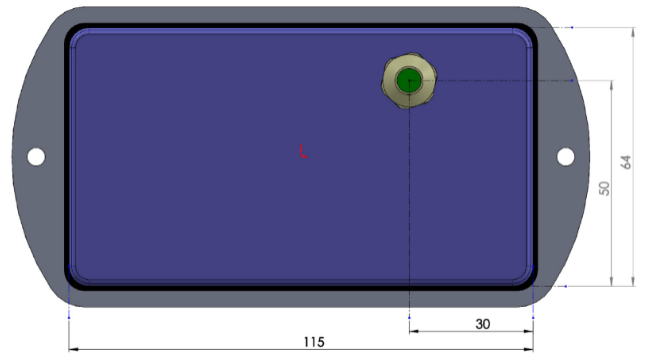
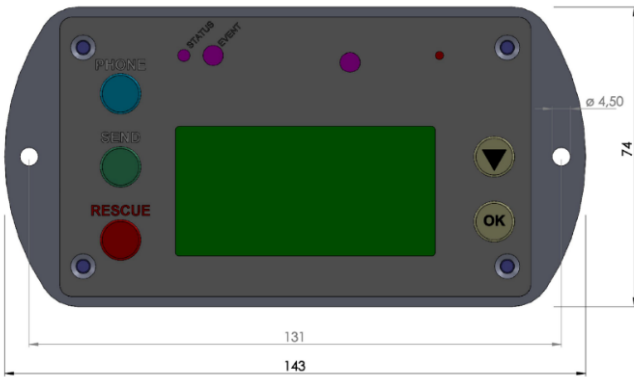
• Technical characteristics :

- 1) Dimensions : 143 x 74 x 30 mm (L x W x D), without cable
- 2) Cable gland: 14,50mm
- 3) Weight : 220g,
- 4) Supplied by the Iritrack V3 (5-36VDC)

The remote must be connected to the Iritrack through its power cable
To turn on the Remote, turn on the Iritrack (ON button)



• Installation:



- Remote can be fixed or screwed (\varnothing 4,50mm) on the tower or on the handlebar
- **Display, microphone and buttons must be accessible by the driver**
- Deport is not equipped of internal antennas. No need to have view on sky.



Compliant installations

- ✓ Buttons visible and accessible
- ✓ Screen visible

The remote inclination on the right picture is optimal. It will facilitate the screen reading from the pilot riding position