



IRITRACK V3 KIT: MOUNTING GUIDE BIKE - QUAD

What is Iritrack ?

Iritrack is a real-time satellite (Iridium) tracking and security system providing:

- **Geo-tracking on map of all vehicles (competitors, organization, rescue,...)**
- **Automatic alarm sending (inclinometer, decelerometer) & manual (buttons) to Race HQ in case of accident, medical emergency, technical/mechanical issue**
- **Phone and text message communication with the Race HQ**
- **Live tracking and time passage**

**For more information, please see Iritrack User Guide*

Iritrack is delivered just before the Rally after Marlink's Administrative Checks validation.

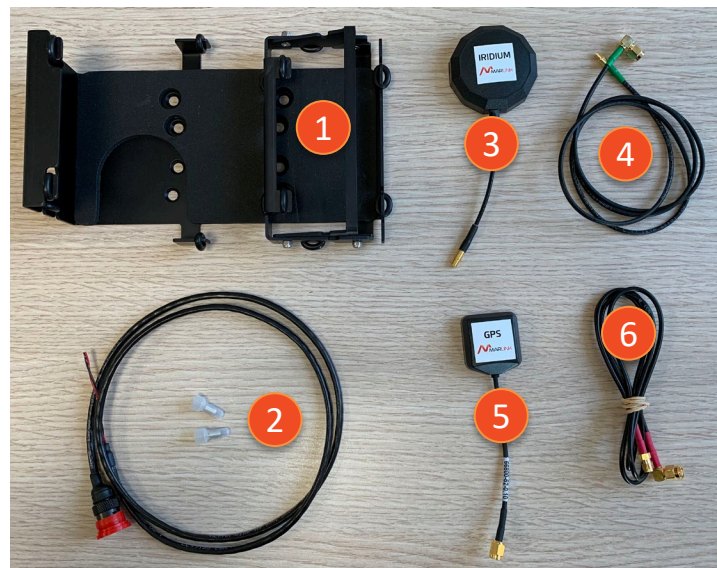
Technical characteristics:

- 1) Dimensions: 180 x 112 x 53 mm (L x l x P), without bracket/cables
- 2) Weight: 830g
- 3) Consumption: 12V, 100mA on rest, 1500mA on communication
- 4) External power supply: Input DC 6-42V (1A)
- 5) Internal battery: rechargeable Li-ion, 6800mAH - 3.75V
- 6) Internal antennas Iridium, GPS et radio
- 7) Microphone and speaker



Kit composition:

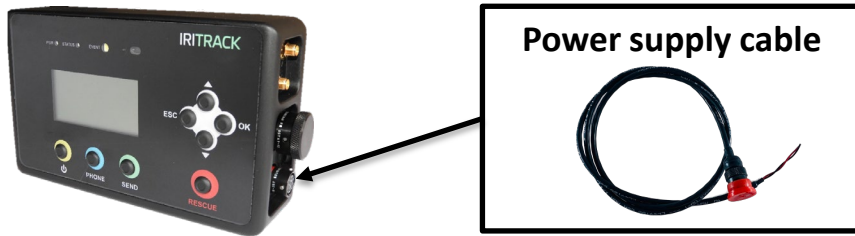
- 1) Iritrack bracket – APR4063
- 2) Power cable 1m with terminals – APR4059
- 3) Iridium Antenna – APR4036
- 4) Iridium Cable 1m – APR4084
- 5) GPS Antenna – APR2861
- 6) GPS Cable 1m – APR4029



Marlink e-shop to order your equipment and find more information:

<https://eshop.marlink.com/en/>

POWER SUPPLY



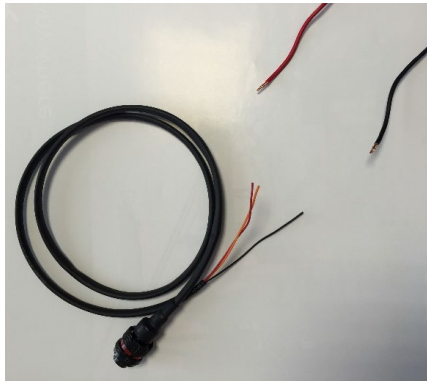
Iritrack must always be powered, from the beginning to the end of the Rally. Power cable must be directly connected to vehicle battery or fuse box (no breaker).

If needed you can link Iritrack power cable to an extension as shown below (not included in the kit but available on our e-shop APR4033).

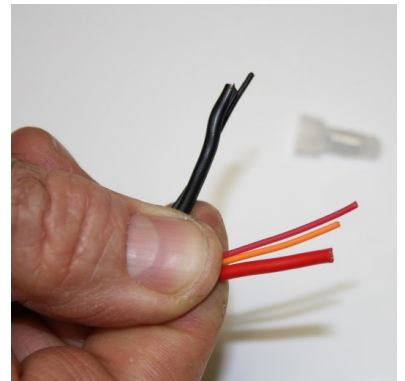
- 1 Prepare your Iritrack power cable, separating black wire from red and orange wires
- 2 Connect extension cable to Iritrack power cable using terminals provided
- red & orange with red
- black with black
- 3 Use a plier for connection
- 4 Connect extension cable to battery, red wire on +12V/+24V (red terminal) and black wire on negative pole.
- 5 Plug the fuse



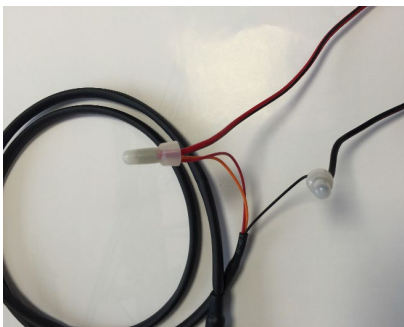
1



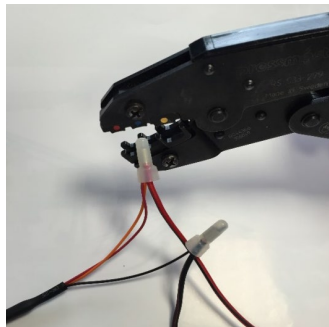
2



2



2



3



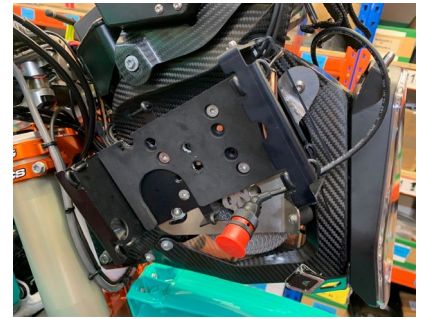
4

5

BRACKET

Open the bracket by pulling the right handle.

Make sure to keep 50mm clear space on the right of the bracket to open it properly and respect cable curvatures.



Choose a compliant position for your bracket, when your vehicle in a stop position you must :

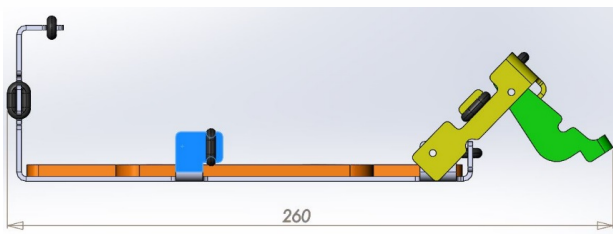
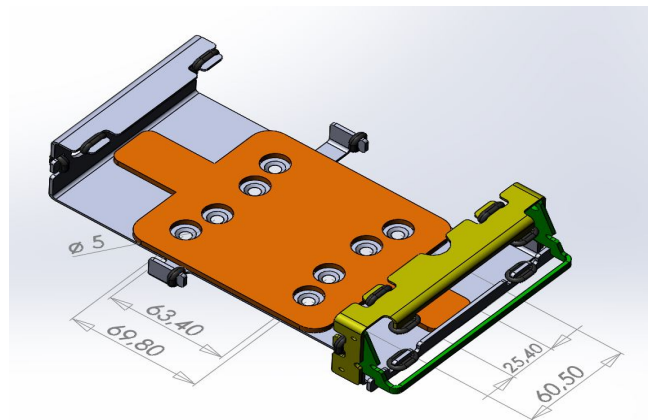
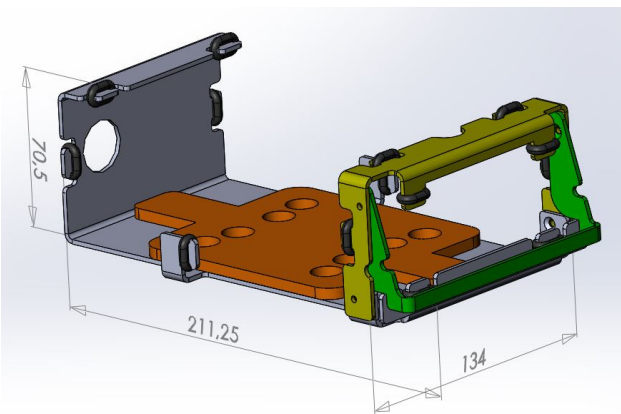
- ✓ have access to Iritrack buttons
- ✓ clear view on the screen

Top part of Iritrack *must be oriented towards the sky* allowing internal antennas transmission

SOME INSTALLATION EXAMPLES PAGE 4

An Iritrack remote (to purchase on our e-shop APR4083) is available if you miss space and/or to ease your installation (see page 5).

Bracket dimensions (open & closed) in mm



Here are the drilling patterns of the bracket (same as the previous Iritrack):

- Width: 69,80 mm
- Length: 60.50 mm
- Drilling diameter: 5 mm

SILENT-BLOCKS

The bracket must be installed with a shock absorption system: silent-blocs (available on our e-shop APR4057).

Without a valid shock absorption system, your installation will be declared as no compliant at the technical checks.

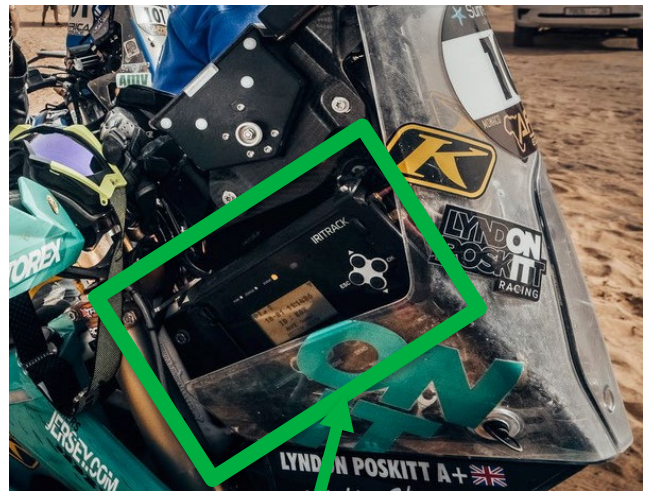


ANTENNAS & CABLES

- 1) Plug and lock **GPS cable (red)** to GPS antenna (smaller one) and **Iridium cable (green)** to Iridium antenna (bigger one).
Put a shrinkable tube on the connector/antenna connection. Be sure to properly lock it before heating the tube.
- 2) Bring connectors to the bracket
- 3) GPS & Iridium antennas must be set horizontally on your navigation tower (stick, serflex) and clear of any item at 180° towards the sky. Antennas can be side by side.
It is forbidden to paint them or integrate them in the core of the vehicle.



Example of compliant installations: Access to buttons & screen



Compliant but :

- No view on flash/LED (Push message/HQ call) from your riding position.
- Buttons can be hard to push in case of fall on installation side

If your setup does not fit compliance criterias, your installation must be done through Iritrack remote (see page 5).

Non compliant:

- X No access to buttons
- X Screen hidden



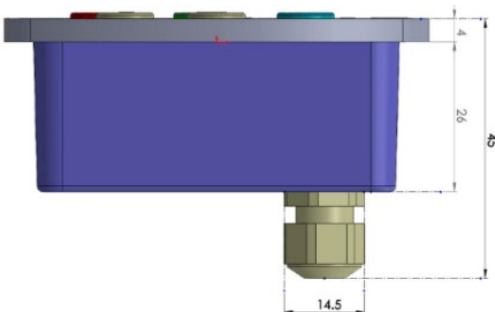
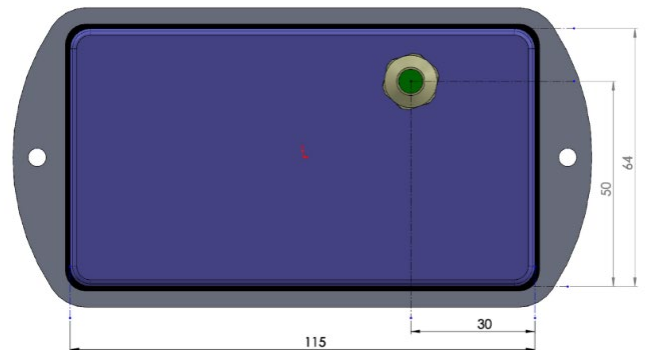
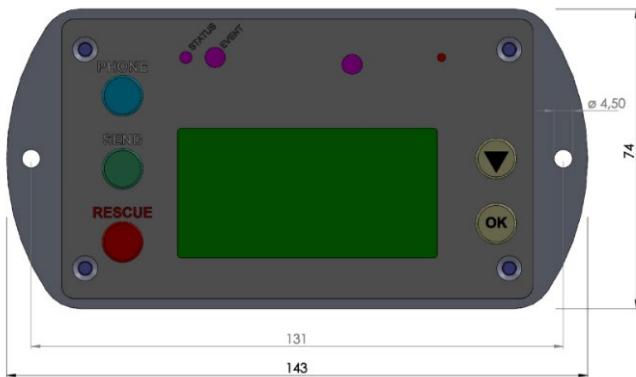
IRITRACK REMOTE: MOUNTING GUIDE

BIKE – QUAD

Iritrack remote is a reduced size Iritrack extension offering equal features (screen, buttons, phone, SMS). **Remote must be connected to the Iritrack (which will be in your bike bubble for instance) by a cable integrated to the remote.**

Technical characteristics :

- 1) Dimensions: 143 x 74 x 30 mm (L x W x D), without cable
- 2) Cable gland: 14,50mm
- 3) Weight: 220g,
- 4) Power supplied by Iritrack V3 (5-36VDC) through connector cable



- Remote can be fixed or screwed (\varnothing 4,50mm) on the navigation tower or handlebar
- **Screen and buttons must be visible and accessible**
- Remote does not require to be point towards the sky



- Compliant installations:**
- ✓ Buttons accessible
 - ✓ Screen visible
- Remote inclination is optimal on these pictures. It allows easy use and reading from riding position.