



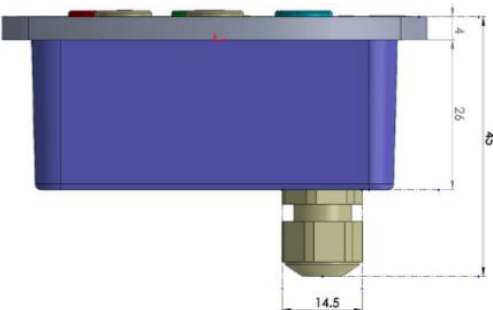
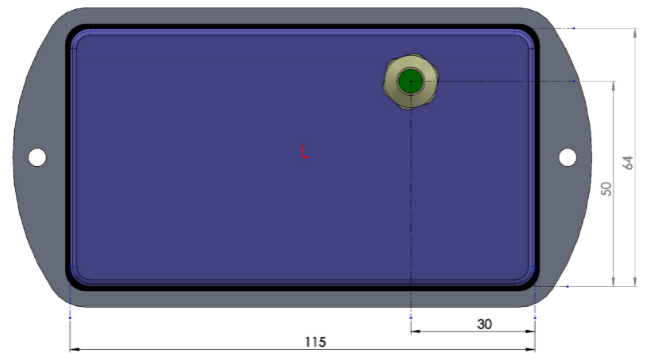
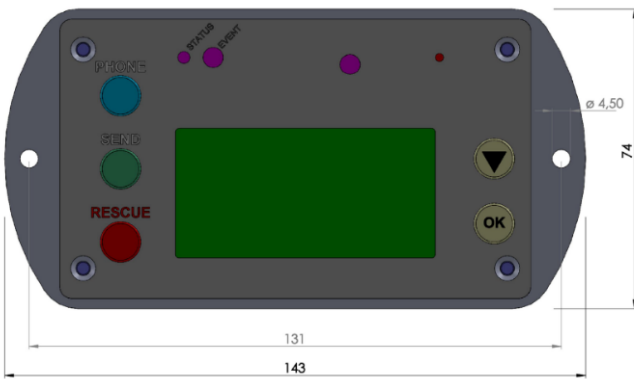
IRITRACK REMOTE: MOUNTING GUIDE

BIKE – QUAD

Iritrack remote is a reduced size Iritrack extension offering equal features (screen, buttons, phone, SMS). **Remote must be connected to the Iritrack (which will be in your bike bubble for instance) by a cable integrated to the remote.**

Technical characteristics :

- 1) Dimensions: 143 x 74 x 30 mm (L x W x D), without cable
- 2) Cable gland: 14,50mm
- 3) Weight: 220g,
- 4) Power supplied by Iritrack V3 (5-36VDC) through connector cable



- Remote can be fixed or screwed (\varnothing 4,50mm) on the navigation tower or handlebar
- **Screen and buttons must be visible and accessible**
- Remote does not require to be point towards the sky



Compliant installations:

- ✓ Buttons accessible
- ✓ Screen visible

Remote inclination is optimal on these pictures. It allows easy use and reading from riding position.