



IRITRACK : MOUNTING GUIDE CAR – SSV – TRUCK

The Iritrack is a real-time satellite (Iridium) tracking and security system that allows to:

- **Vehicles geo-tracking on map** (competitors, organization, rescue...) with notifications on GPS point, speed, temperature, installation quality (antennas, power supply), etc.
- **Sending data** to Race HQ (race management office) :
 - **Automatic Alarms** : in case of a fall, accident or rollover (inclinometer, decelerometer)
 - **Alarms/Manual Alerts (press the buttons)**
 - Medical emergencies → **Red button**
 - Safe stopping (mechanical, assistance, break, ...) → **Green button**
- **Phone communication** → **Blue button**
- **Text message prewritten** to the Race HQ

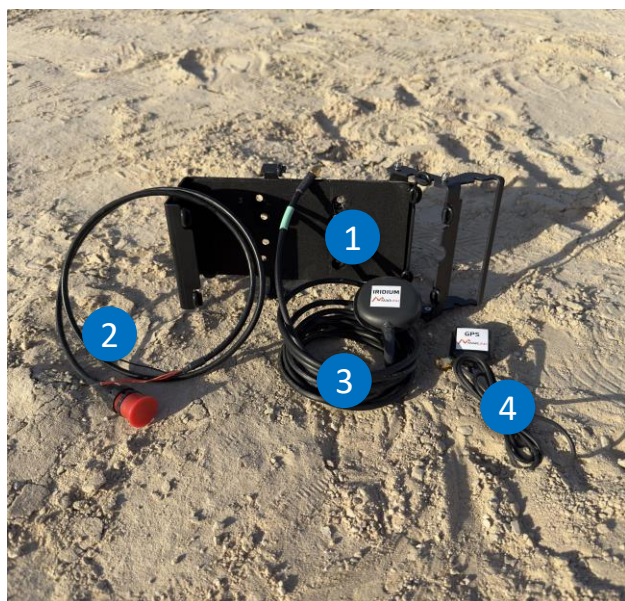
Iritrack technical specifications :

- 1) Dimensions : 180 x 112 x 53 mm (L x l x P), without bracket/cables
- 2) Weight : 830g
- 3) Consumption : 12V, 80mAh, (15mAh on standby)
- 4) External power supply : Input: DC 6-42V
- 5) Internal battery : rechargeable Li-ion, 5600 mAh
- 6) Internal antennas Iridium, GPS and radio
- 7) Microphone and speaker



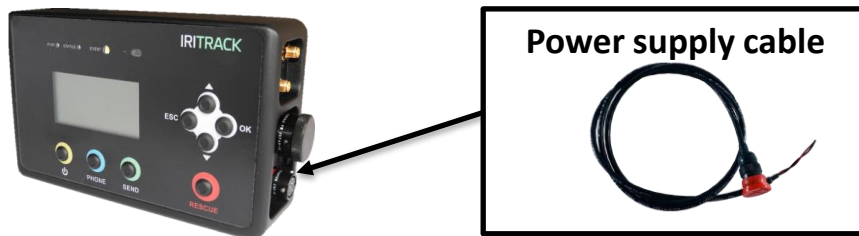
Kit composition Auto/SSV and Truck :

- 1) Iritrack bracket – S80140
- 2) Power cable 1m with transparent terminals – S80139
- 3) Iridium antenna 3m (car/SSV), 5m (truck) – S27687/S27685
- 4) GPS Antenna 3m (car/SSV), 5m (truck) – S80129/S80130



Order your equipment and find more information on the Marlink e-shop : <https://eshop.marlink.com/en/>

POWER SUPPLY



Iritrack must always be powered, from the beginning to the end of the Rally. Power cable must be directly connected to vehicle battery or fuse box (no breaker).

If needed you can link Iritrack power cable to an extension as shown below (not included in the kit but available on our e-shop *S80131*)

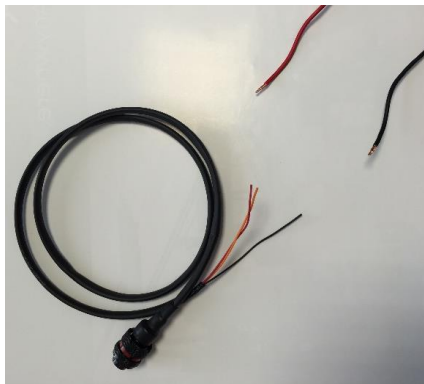
- 1 Prepare your Iritrack power cable, separating black wire from red and orange
- 2 Connect the power cable to your extension lead (lugs supplied), battery or fuse box :
 - red & orange of power cable with the red (+)
 - black with the black wire (-)

In the case of an extension laed :

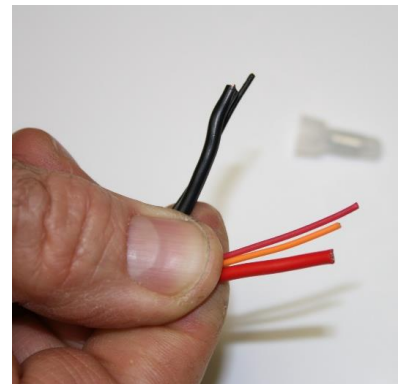
- 3 Use pliers to crimp the terminals
- 4 Connect the extension lead to the vehicle battery, the red wire to the +12V/+24V (red terminal) and the black wire to the negative pole of the battery
- 5 Plug the fuse



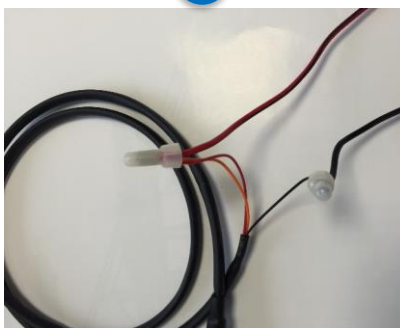
1



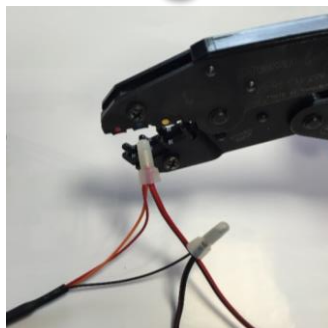
2



2



3



3



4

BRACKET

Open the bracket by pulling the right handle. Make sure to keep 50mm clear space on the right of the bracket to open it properly and connecting the box while respecting the curvature of the cables.



Before fixing your bracket, make sure that it is in the correct position; when stationary, you must have :

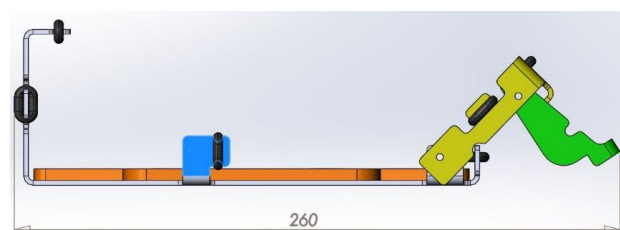
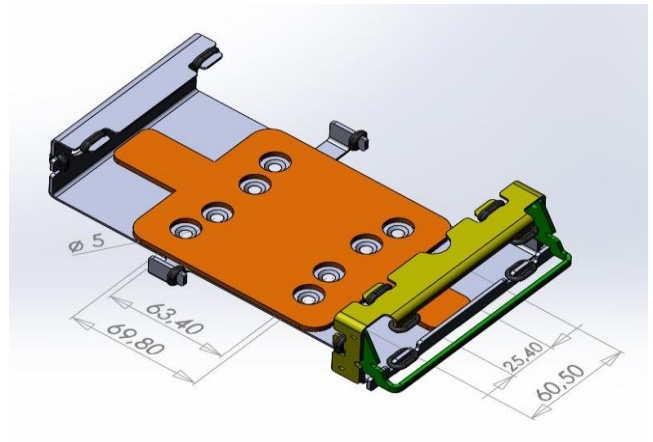
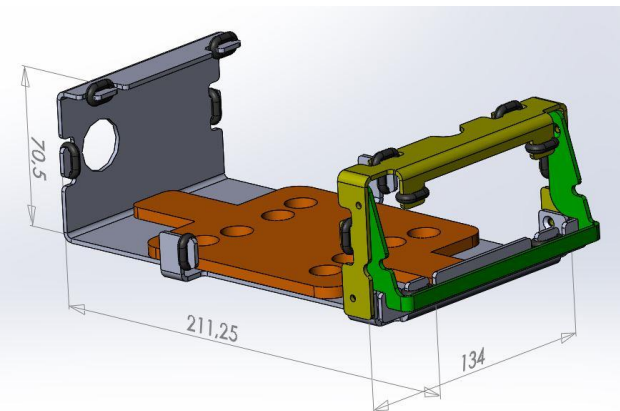
- ✓ EASY access to Iritrack buttons
- ✓ Clear view on the screen

Top part of Iritrack must be oriented towards the sky (internal antenna transmission). It is forbidden to set the bracket on vehicle ceiling.

SOME INSTALLATION EXAMPLES PAGE 4

A bracket (S80148) is available if you need more space and/or to make your installation easier (see page 5).

Bracket dimensions (open & closed) in millimeters



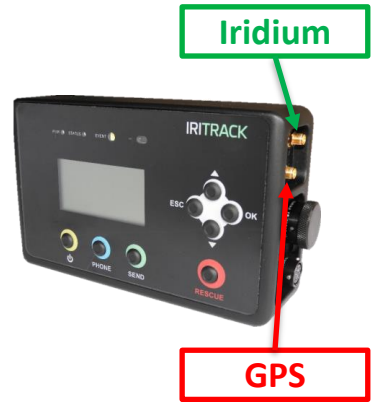
Drilling templates

(Identical to the previous version) :

- Width : 69,80 mm
- Length : 60,50 mm
- Drilling diameter : 5 mm

ANTENNAS & CABLES

- 1) Plug & lock GPS cable to its antenna, then put and heat a shrinkable tube on the connection.
- 2) Put magnetic antennas horizontally (GPS & Iridium) on the vehicle roof or hood (metal surface). Antennas can be side by side. **It is forbidden to paint them or integrate them in the core of the vehicle.**
- 3) Bring antenna connectors to the bracket. **Antenna cables should not go through the door seals but in the walls of the vehicle or via a cable gland.**



Access to buttons + screen

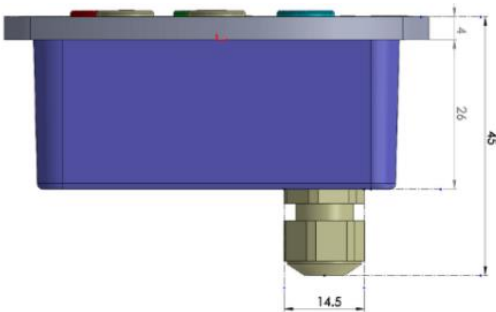
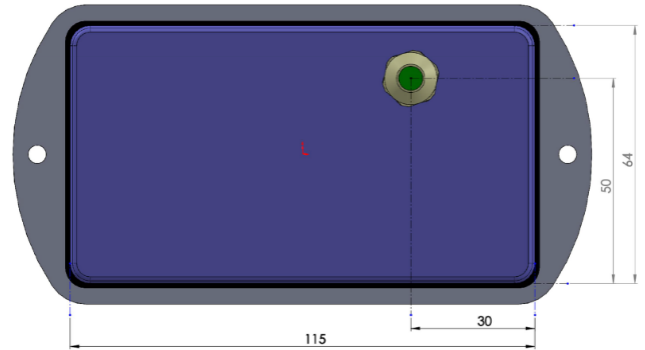
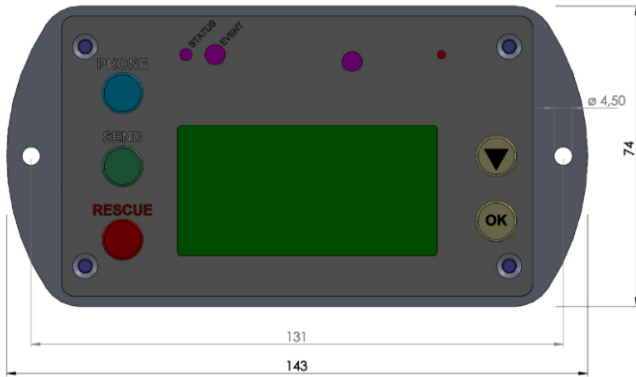


IRITRACK REMOTE : CAR – SSV

Iritrack remote is a reduced size Iritrack extension offering equal features (screen, buttons, micro, phone). **Remote must be connected to the Iritrack by a cable integrated to the remote.**

Technical characteristics :

- 1) Dimensions : 143 x 74 x 30 mm (L x l x P), without cable
- 2) Cable gland : 14,50mm
- 3) Weight : 220g
- 4) Power supplied by Iritrack V3 (5-36DC) through power cable



- Remote can be fixed or screwed (\varnothing 4,50mm)
- **Screen and buttons must be visible and accessible**
- Remote does not require to be oriented towards the sky



**In the event of contraindicated use,
charges may apply for :**

- Use of third-party accessories**
- Electrical damage**
- High-pressure cleaning**

