



REMOTE BOX : BIKE – QUAD

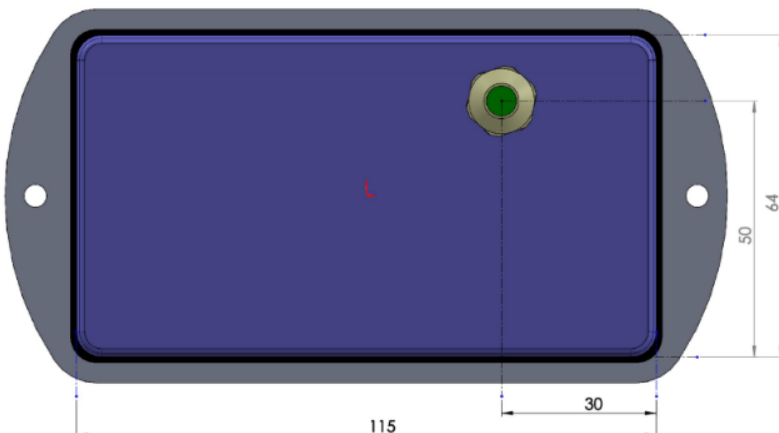
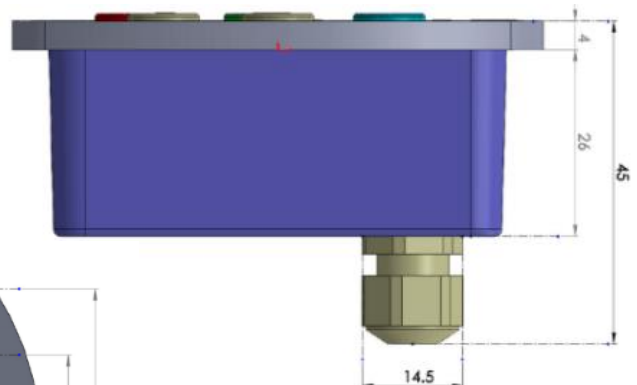
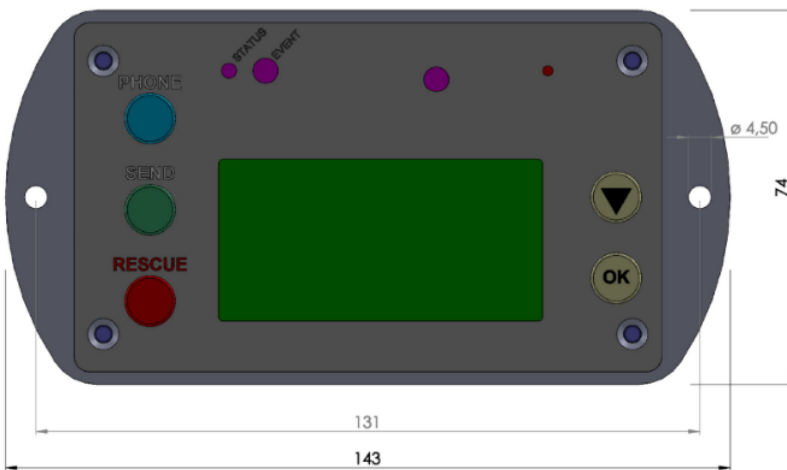
The remote box is an extension of the Iritrack in a reduced format offering the same functions as the latter (screen, buttons, voice, message).

It must be fixed or screwed (\varnothing 4,50mm) to the navigation tower or handlebars (see photo below), then connected to the Iritrack via the cable built in the offset.

As the installation may be different for each motorbike, we do not supply brackets or screws for the remote box. For these bikes, KTM supplies a bracket integrated into the front bubble of the bike with a return paste to fix the offset box.

Technical specifications :

- 1) Dimensions : 143 x 74 x 30 mm (L x l x P), without cable
- 2) Cable gland: 14,50mm
- 3) 220g, on-board micro
- 4) Powered by the Iritrack (5-36DC) via the power cable



REMOTE BOX : BIKE – QUAD



Compliant Installation both systems :

- ✓ Visible and accessible buttons
- ✓ Screen visible

The angle of the offset on the photos is optimal. This makes it easier for the rider to read and use from the driving position.



**In the event of contraindicated use,
charges may apply for :**

- Use of third-party accessories**
- Electrical damage**
- High-pressure cleaning**

